



Specification For Approval

Type	Whip – ANT
Model Name	TNC – 450W – ANT
Part No	
Issued Date	2013. 06. 24

SAE HAN ANTENNA CO.,LTD

301-1107, Ssangyong Techno Park 3, 36-1 Samjeong-Dong, Ojeong-Gu, Bucheon-Si, Gyeonggi-Do, Korea

TEL : 82.32.624.2630 FAX : 82.32.624.2632



Part No	Application	Rev	Page
TNC-450W-ANT	Wireless ant	0.0	2 / 6

CONTENTS

1. Specification 3
2. Electrical Specification Test	
3.1 V.S.W.R4
3.2 Beam Pattern5
4. Appearance6



Part No	Application	Rev	Page
TNC-450W-ANT	Wireless ant	0.0	3 / 6

2. Specification

2.1. Electrical Specification

Item	Spec	Remarks
Center Frequency	450MHz	
Frequency Range	440MHz – 460MHz	
V.S.W.R	Less Than 2.0	
Gain(dBi)	-2dBi (Max)	
Radiation pattern	Omni-directional	
Polarization	Linear Vertical	
Impedance	Nominal 50 Ω	

2.2. Mechanical Specification

Item	Spec	Remarks
Dimensions	160	mm
Connector	TNC - Male	
Color	Black	
Operating Temperature	-45 $^{\circ}$ C ~ +85 $^{\circ}$ C	
Weight	24g \pm 1g	

2.3. Major Materials Of Parts

Item	Materials	Remarks
Connector	C3604	mm
Cover	Urethane	
Cap	ABS	
Element	SWC	

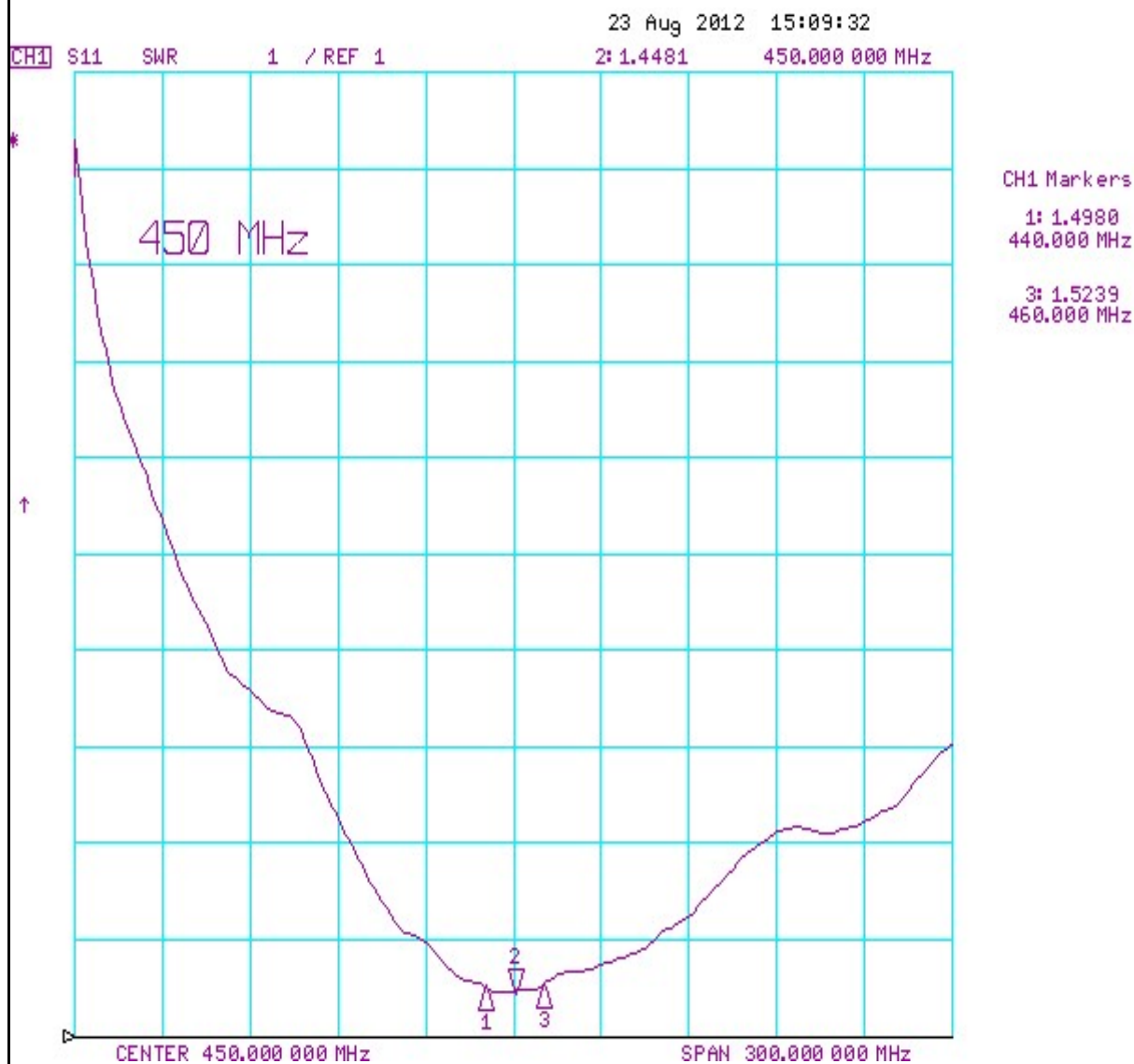


Part No	Application	Rev	Page
TNC-450W-ANT	Wireless ant	0.0	4 / 6

3. Electrical Specification

3.1 V.S.W.R

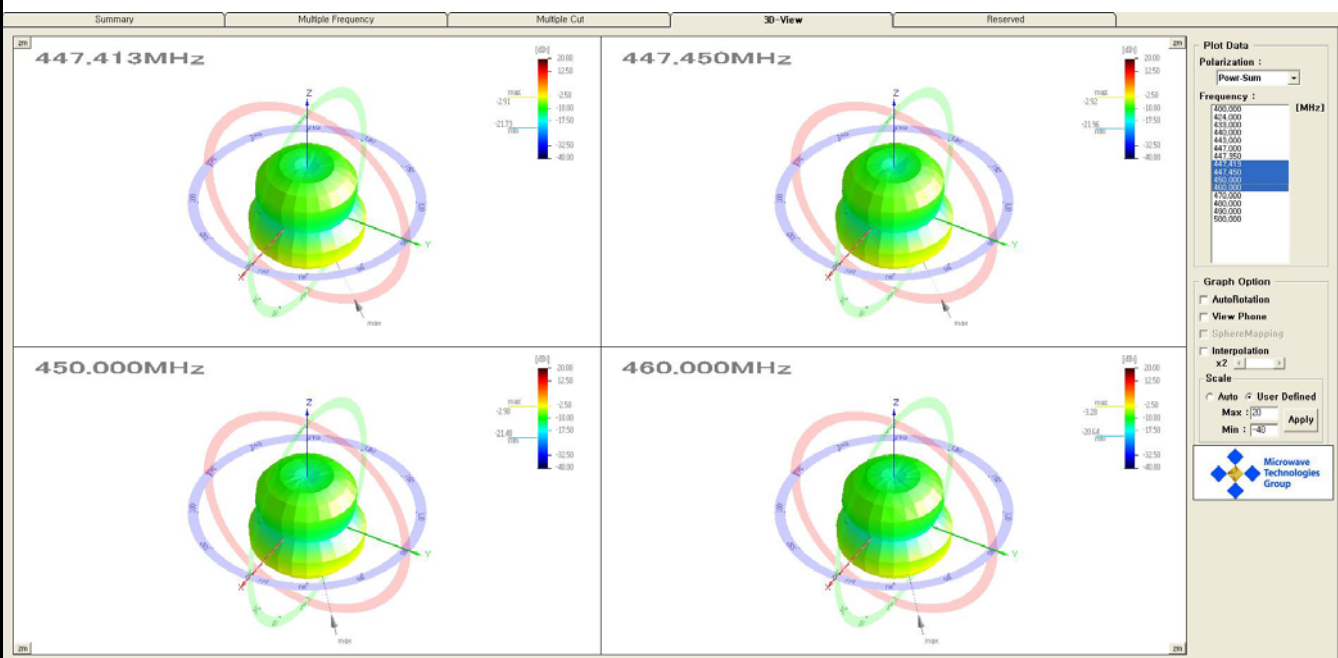
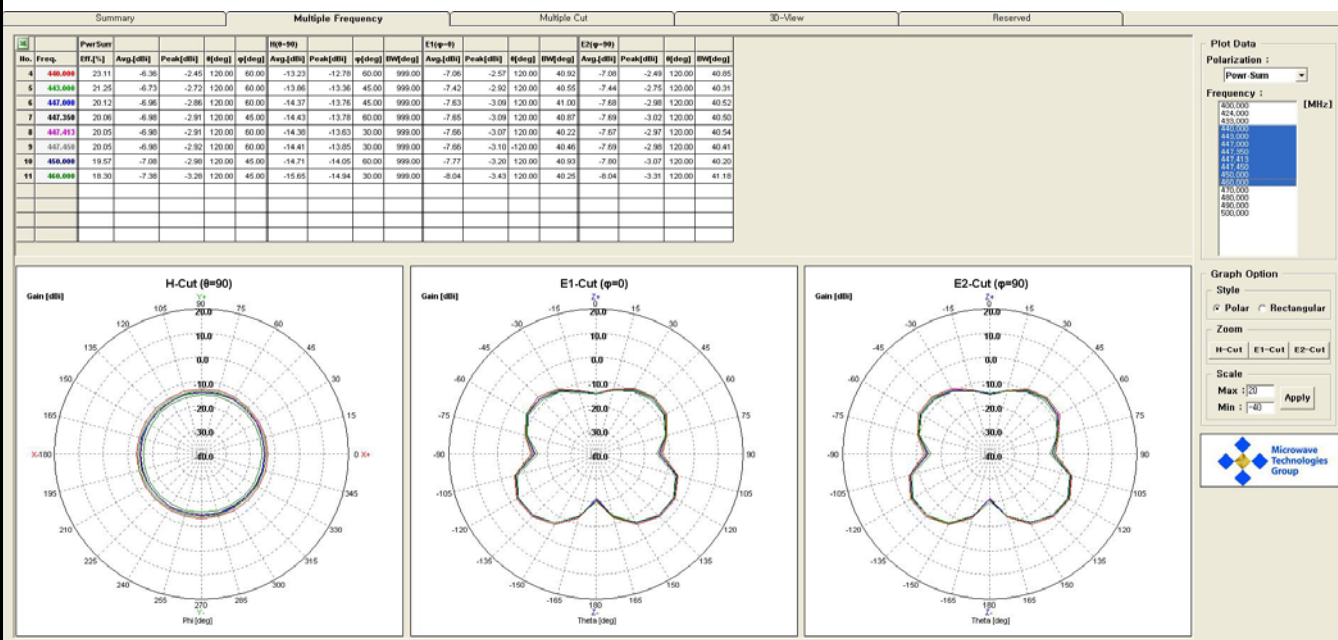
DATA



Frequency	V.S.W.R	Remarks
440 MHz	1.4	
450 MHz	1.4	
460 MHz	1.5	



3.2. Gain & Beam Pattern



Frequency	Peak Gain(dBi)	Remarks
440 MHz	-2	
450 MHz	-2	
460 MHz	-3	

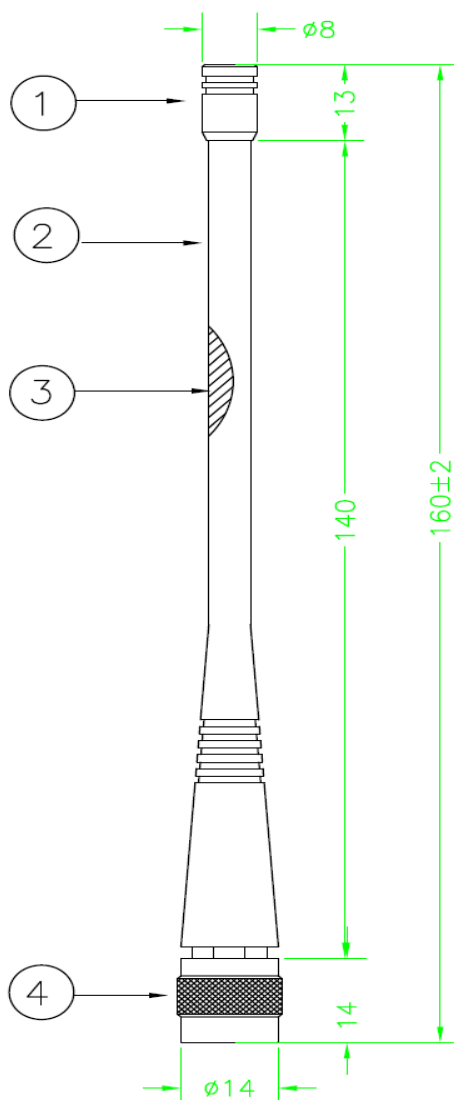


Part No	Application	Rev	Page
TNC-450W-ANT	Wireless ant	0.0	6 / 6

4. Drawing

CONTROLLED DRAWING
This drawing is the property of HANA ANT.
Expressed technical contents are
not to be reproduced or loaned without
written permission from HANA ANT.

NO	DESCRIPTION	MATERIAL	SIZE	PART NO	Q'TY
1	CAP	ABS	ø8x13L		
2	MOLD	URETHANE	ø6x140L		
3	SPEED WIRE	CU WIRE	ø3.2		
4	TNC	TNC-M-NI	ø14		



UNLESS OTHERWISE SPECIFIED TOLERANCES		6				NAME OF TITLE	
		5				WHIP ANT. ASS'Y	
0 ~ 4	±0.1	4				SCALE	UNITS
4 ~ 16	±0.15	3				1 / 1	mm
16 ~ 63	±0.2	2				DATE	2004.10.14.
63 ~ 250	±0.3	1				MODEL No.	HA-450TNC
250 ~	±0.5	NO	DATE	DESCRIPTION OF REVISION	SIGN	DRAWN/DESIGNED	CHECKED
						APPROVED	
						Hwang Dong Min	
						DRAWING/PART No.	ATC-447B
						APPROVED No.	
						USE FREQUENCY (MHz)	450