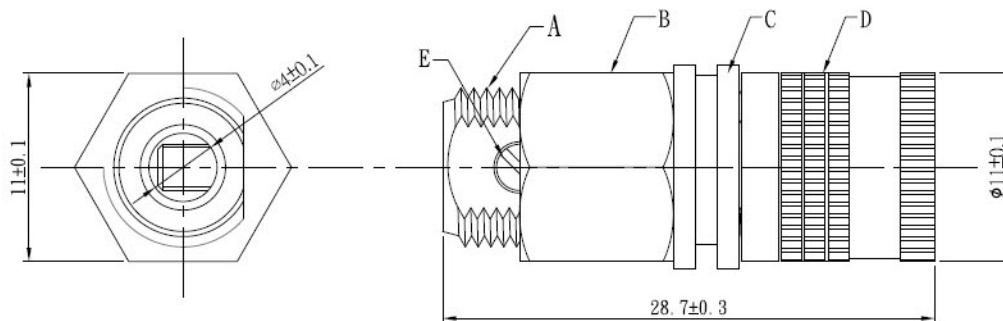


CN-BJ-016G



| | | | |
|--|--|----------|--|
| | | Approved | |
|--|--|----------|--|

TITLE: BANANA JACK

Unless Specified, otherwise tolerance are +/-0.1mm; Remark: ROHS Requirement Applied(符合ROHS)

| NO | Description | Unit | Materials | Finish/Color | PART NO. | REV | DESCRIPTION | Issue | A | DATE: | 2008/4/24 | Drawn | 李傑 |
|----|-------------|------|-----------|--------------|----------|-----|-------------|-------|---|-------|-----------|-------|-----|
| A. | BODY | 1 | BRASS | GOLD | FP022 | 1 | | | | | | Unit | M/M |
| B. | NUT | 1 | BRASS | GOLD | FU003 | 2 | | | | | | | |
| C. | WASHER | 2 | ACRYLIC | TRANSPARENT | FB019 | 3 | | | | | | Scale | 3:1 |
| D. | SHELL | 1 | BRASS | GOLD | FJ012 | 3 | | | | | | | |
| E. | WHORL NAIL | 1 | BRASS | GOLD | FS003 | 4 | | | | | | | |