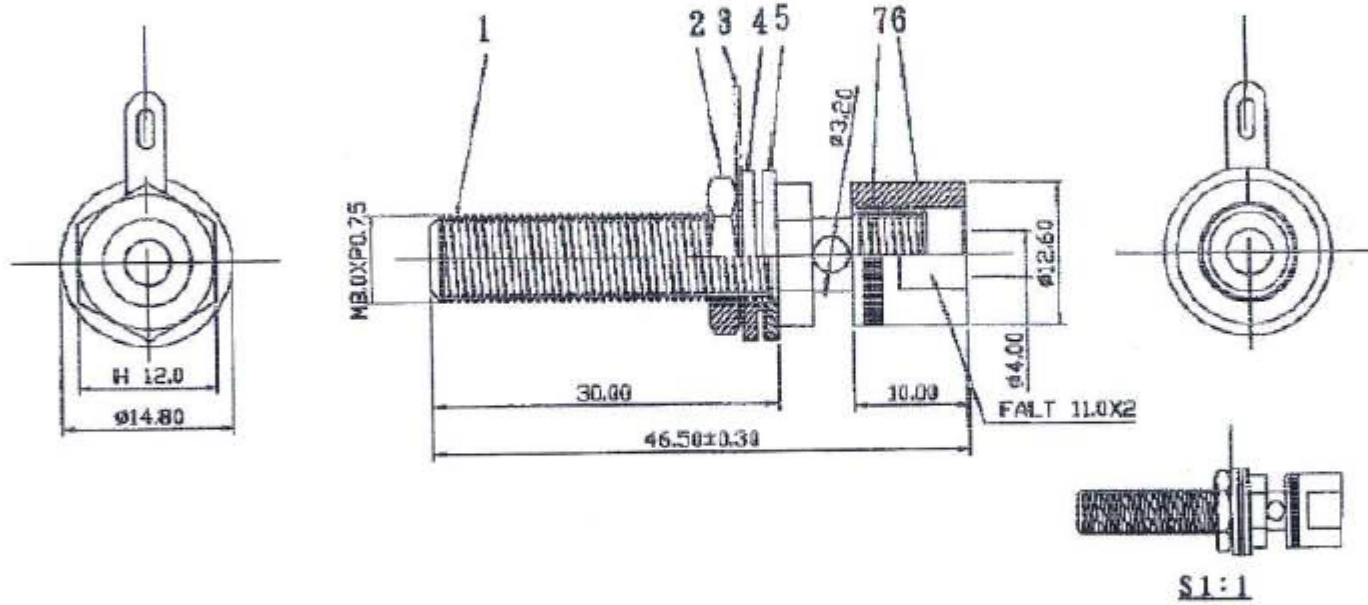


DIMENSIONS ARE IN MILLIMETERS

0.5-5 = ± 0.2
 5-30 = ± 0.4
 30-120 = ± 0.6
 120-315 = ± 1
 315-1000 = ± 1.6
 1000-2000 = ± 2.4



7	RING	1	PAINT	BLACK/RED
6	LOCK NUT	1	BRASS	GOLD
5	WASHER	1	PLASTIC	WHITE
4	WASHER	1	PLASTIC	WHITE
3	EARTH TAG	1	BRASS	GOLD
2	NUT	1	BRASS	GOLD
1	BODY	1	BRASS	GOLD

APPROVED BY :



Description:

BINDING POST

Part No.:

BI-3740G

ULTIMAX®
 THE ULTIMATE ELECTRONIC COMPONENTS

No.	DESCRIPTION	QTY	MATERIAL	REMARK
-----	-------------	-----	----------	--------

Date: DEC. 21 2006

File No.: 06032204-1