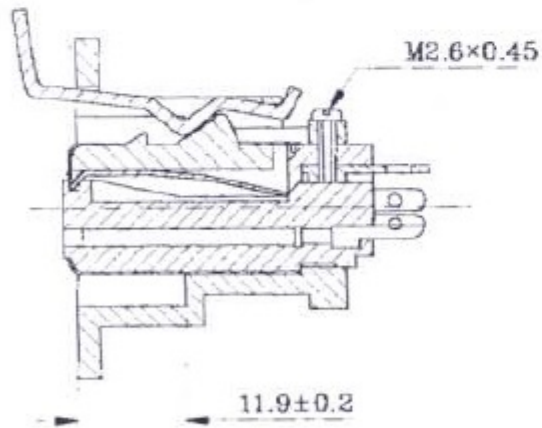
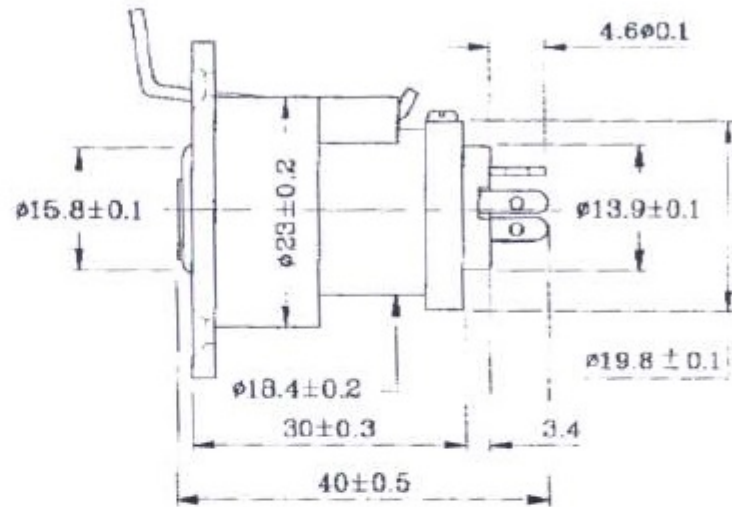
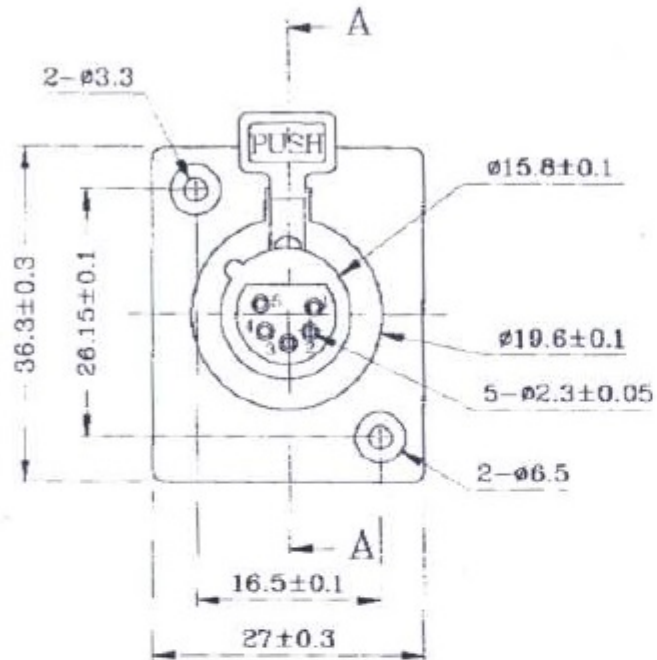


DIMENSIONS ARE IN MILLIMETERS

0.5-5 = +0.2
 5-30 = +0.4
 30-120 = +0.6
 120-315 = +1
 315-1000 = +1.6
 1000-2000 = +2.4



A-A SECTION

Approved by:



Description: MIC FEMALE CONNECTOR CHASSIS MOUNT - RECTANGLE
 5 PINS

Part No.:

MI-6090-5

Date: 25 2012

File No.: 89M-107-5P

ULTIMAX®
 THE ULTIMATE ELECTRONIC COMPONENTS