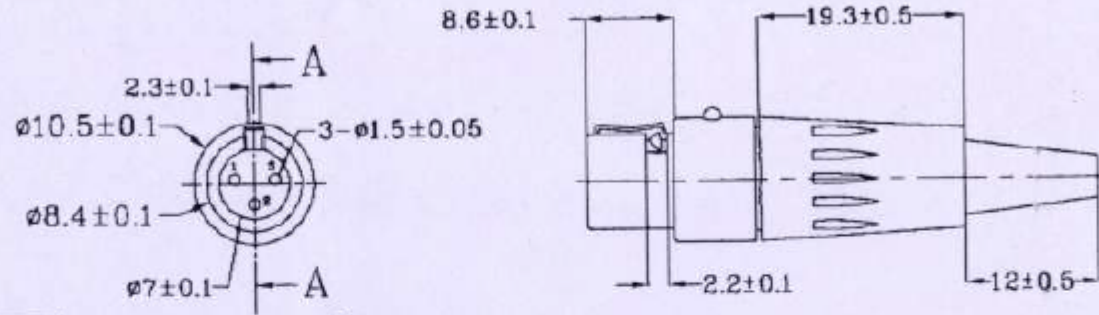
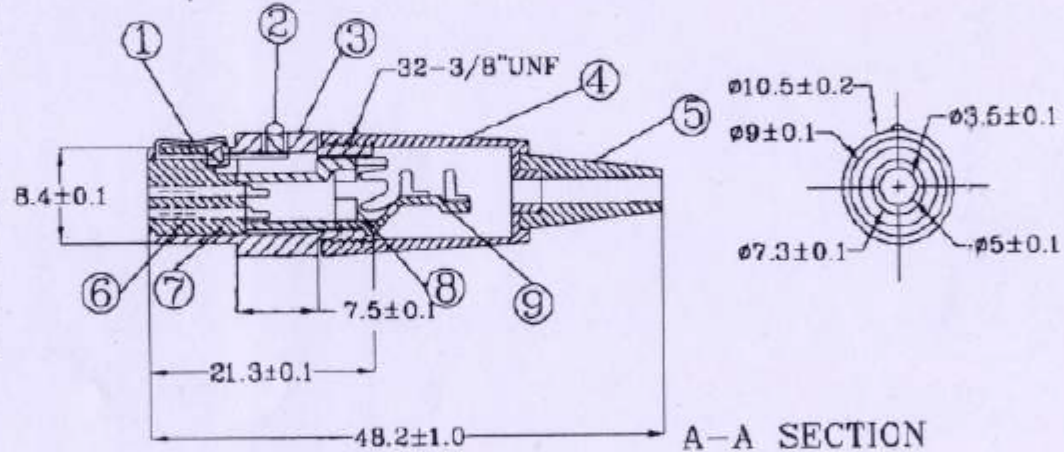


DIMENSIONS ARE IN MILLIMETERS

0.5-5 = +0.02
 5-30 = +0.04
 30-120 = +0.06
 120-315 = +0.1
 315-1000 = +0.15
 1000-2000 = +0.2



MATERIAL	
1	SUS(AISI-301)
2	ABS-BLACK
3	BRASS-NICKEL PLATED
4	ABS-BLACK
5	PVC-BLACK
6	PHOSPHOR BRONZE-SILVER PLATED
7	PPS-BLACK
8	ABS-BLACK
9	BRONZE-NICKEL PLATED



APPROVED BY :



Date: APR. 15 2005

Description:

MINI MIC FEMALE 3 PINS

Part No.:

MI-6670-3

File No.: 92M-502-3S

ULTIMAX
 THE ULTIMATE ELECTRONIC COMPONENTS