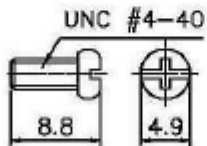
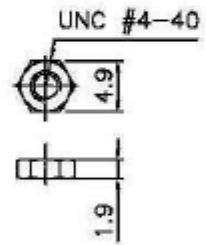
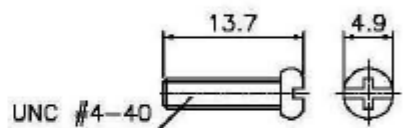
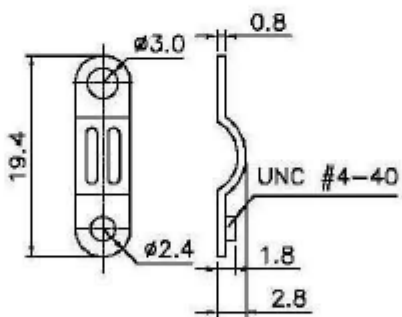
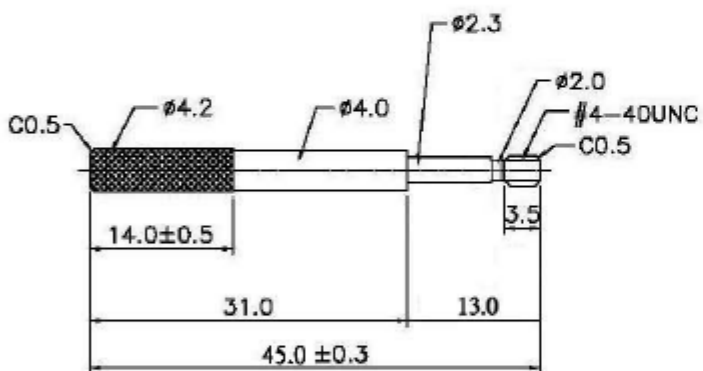


ITEM	DESCRIPTION	FINISH	MATERIAL	QTY
6	SCREW	NICKEL	STEEL	2
5	SCREW	NICKEL	STEEL	2
4	SCREW	NICKEL	STEEL	2
3	HEX	NICKEL	STEEL	2
2	HOLDER	NICKEL	STEEL	2
1	BODY	CHROMIUM	ABS	2



				D-SUB COVER			Chromium-Plastic		
				PA-943-004-15PIN-CT					
		APPD:		MAT'L:		DWG NO:		94051102-0304	
A		NEW RELEASE		May.11.05		CHKD: Chun.Ter.Chiu		BODY:	
REV.		DESCRIPTION		DATE		DRWN: Wen.Kai		CLIENT: ALL(E2717)	
						UNITS		SCALE	
						mm		1:1	